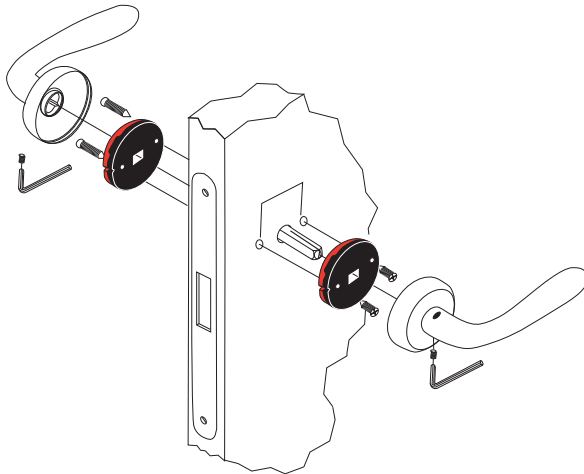


MAGNETIC | EURO MORTISE MOUNTING R SERIES

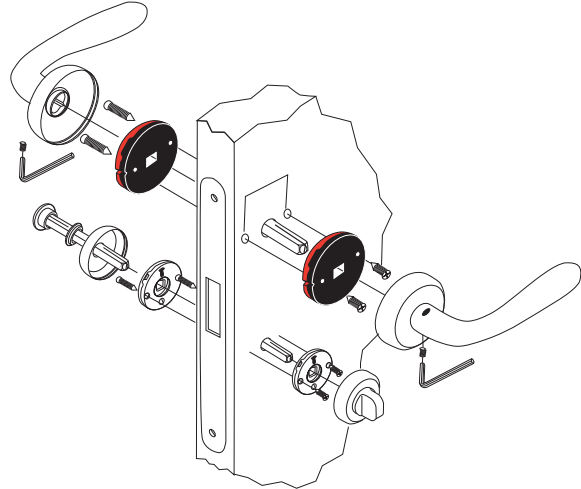


PASSAGE M400 - 2" BS



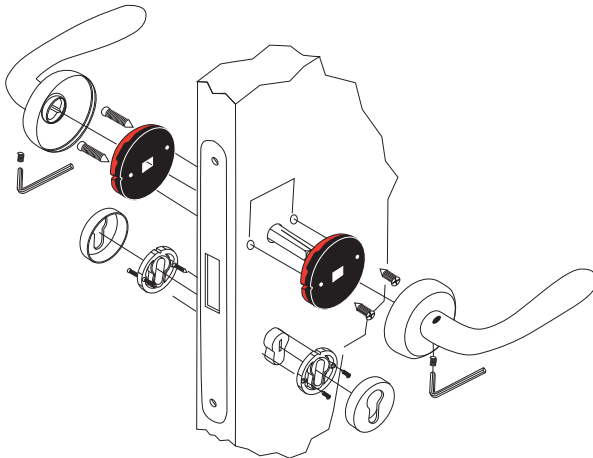
Refer to template no. 004A

PRIVACY M440 - 2" BS



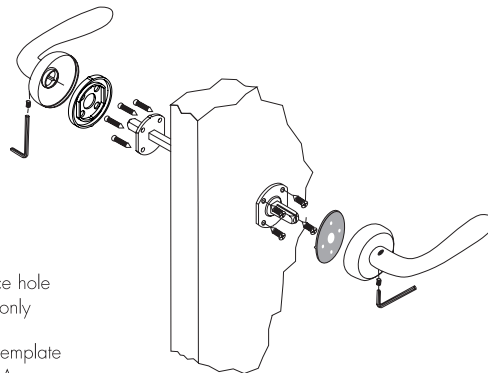
Refer to template no. 005A

KEYLOCK M450 - 2" BS



Refer to template no. 006A

DOUBLE DUMMY D190



5/8" face hole required only

Refer to template no. 011-A

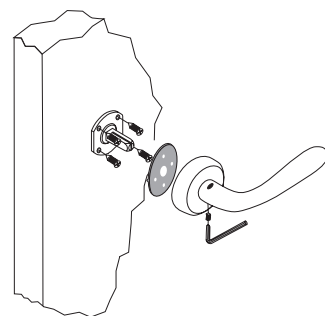
Sample Specification
For a 2" Backset Privacy

Lever - CB51 R - M440 - Satin Nickel

Function ↑

Finish ↑

SINGLE DUMMY D185



No hole required.
Single dummy spindles
are surface mounted.

Refer to template
no. 011-B

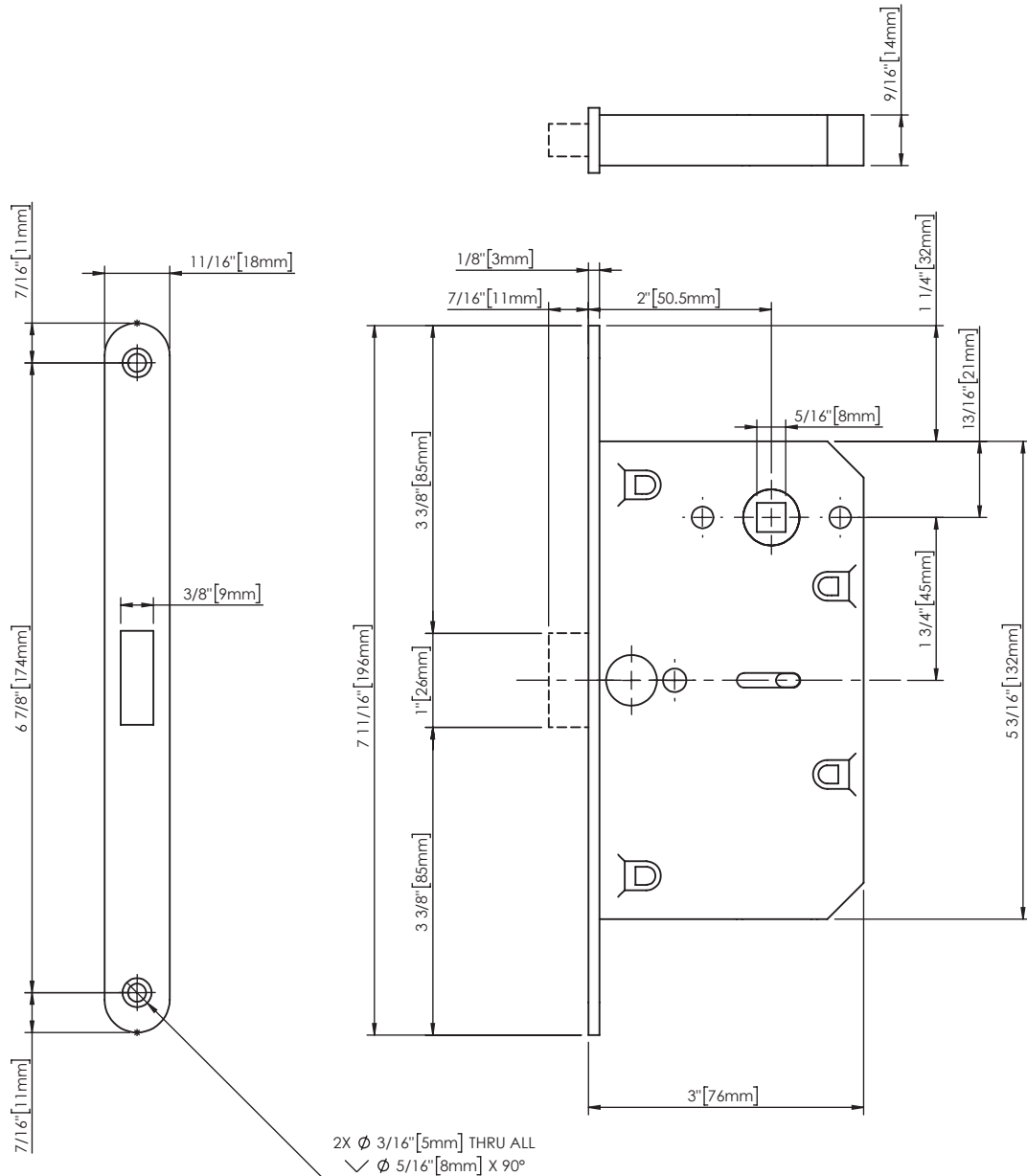
Mortise stocked in 2" back-set. Also available in 2 3/8" back-set.

INSTALLATION INSTRUCTIONS FOR PASSAGE EURO MAGNETIC MORTISE LOCK R M400 - non-bored door condition

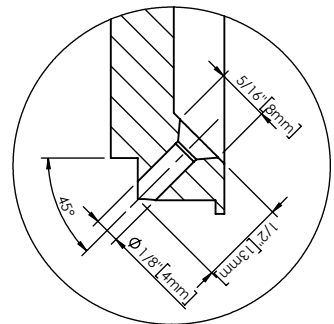
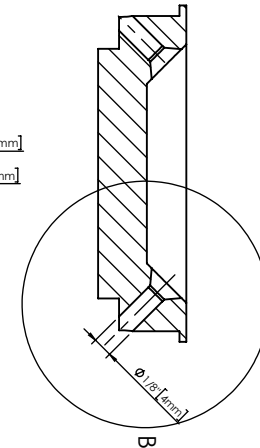
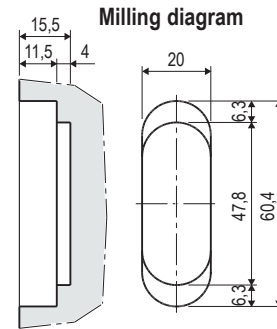
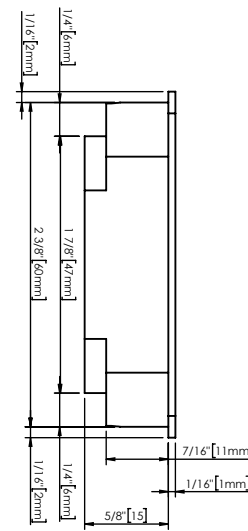
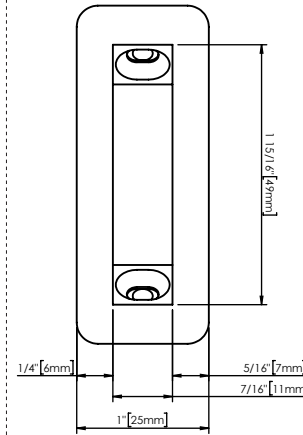
Euro Magnetic Passage Mortise

TOOLS REQUIRED:

5/8 Dia. Drill Bit, 5/8 Router Bit for Pocket, 7/8 Router Bit for face plate and Phillips Screwdriver.



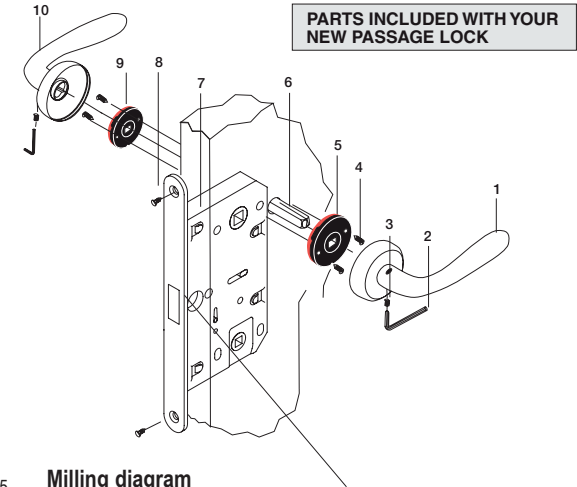
Passage Strike



Red side
Black side
Required hole positioning

PLEASE NOTE

Springs are handed. **Black** must be facing you for **Right Hand Lever**. **Red** for **Left Hand Lever**.



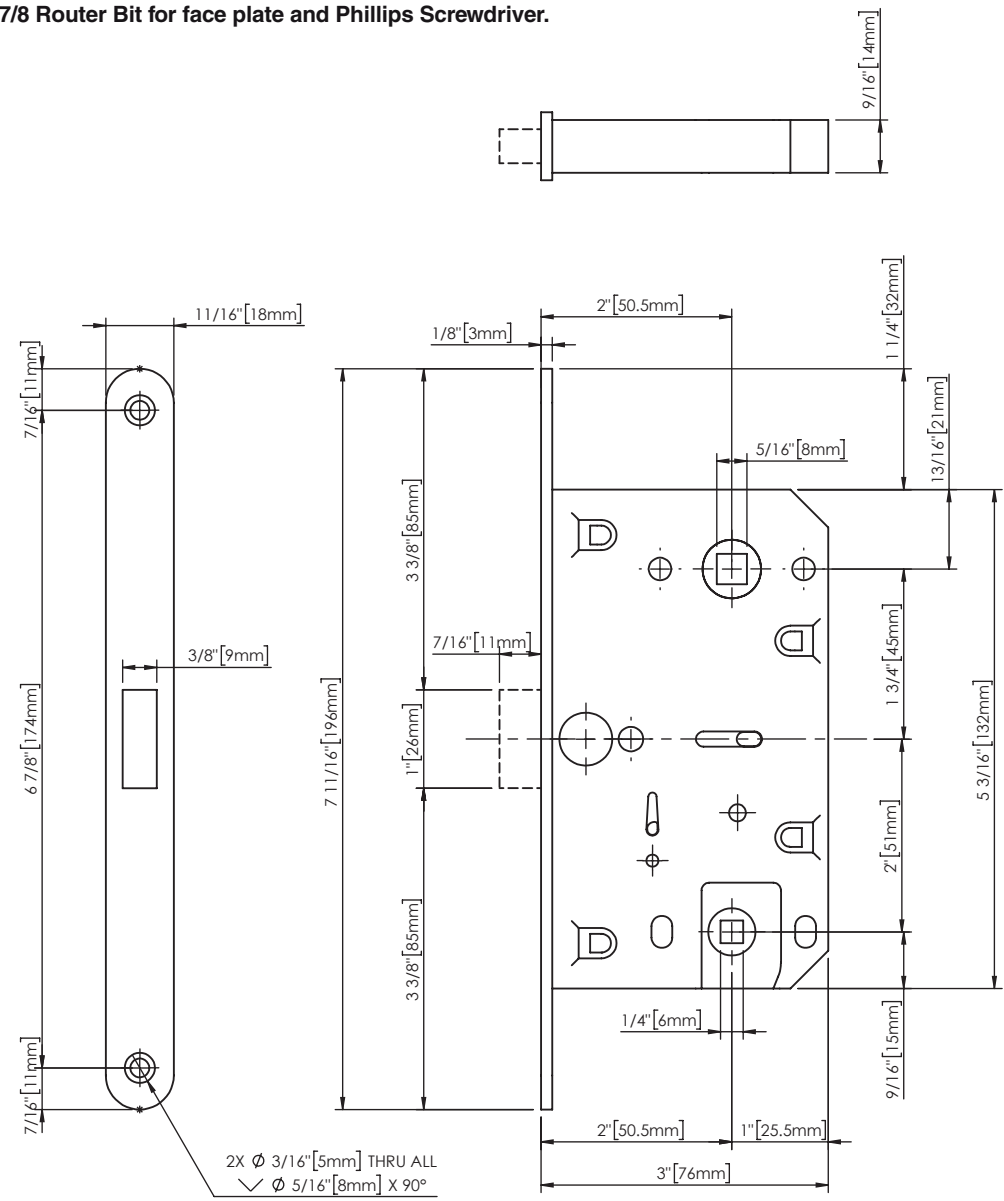
Passage Parts

1. Right Hand Lever Handle (inside)
2. Allen Key
3. Handle Set Screw (2)
4. Screws #8 (4)
5. Spring Pack (Right Hand inside Shown)
6. Passage Spindle
7. Passage/Privacy Euro Mortise
8. Face Plate Screws (2)
9. Spring Pack (outside)
10. Left Hand Lever Handle (outside)

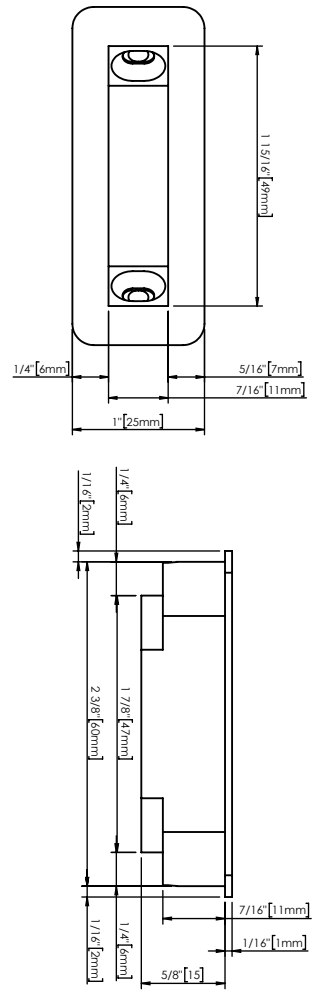
INSTALLATION INSTRUCTIONS FOR PRIVACY EURO MAGNETIC MORTISE LOCK R M440 - non-bored door condition

Euro Magnetic Privacy Mortise

TOOLS REQUIRED:
 5/8 Dia. Drill Bit, 5/8 Router Bit for Pocket,
 7/8 Router Bit for face plate and Phillips Screwdriver.



Privacy Stike



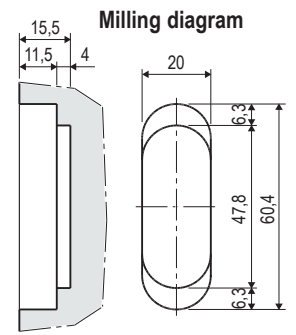
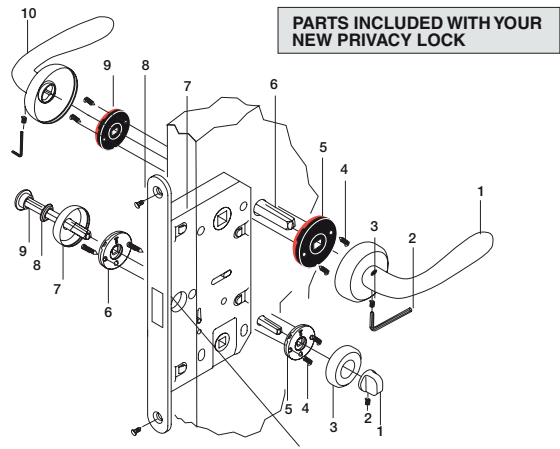
Red side

Black side

Required hole positioning

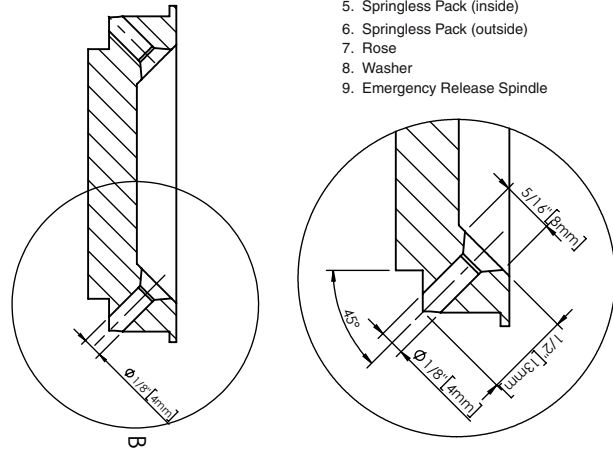
PLEASE NOTE

Springs are handed. **Black** must be facing you for **Right Hand Lever**. **Red** for **Left Hand Lever**.



- Passage Parts**
1. Right Hand Lever Handle (inside)
 2. Allen Key
 3. Handle Set Screw (2)
 4. Screws #8 (4)
 5. Spring Pack
(Right Hand inside Shown)
 6. Passage Spindle
 7. Passage/Privacy Euro Mortise
 8. Face Plate Screws (2)
 9. Spring Pack (outside)
 10. Left Hand Lever Handle (outside)

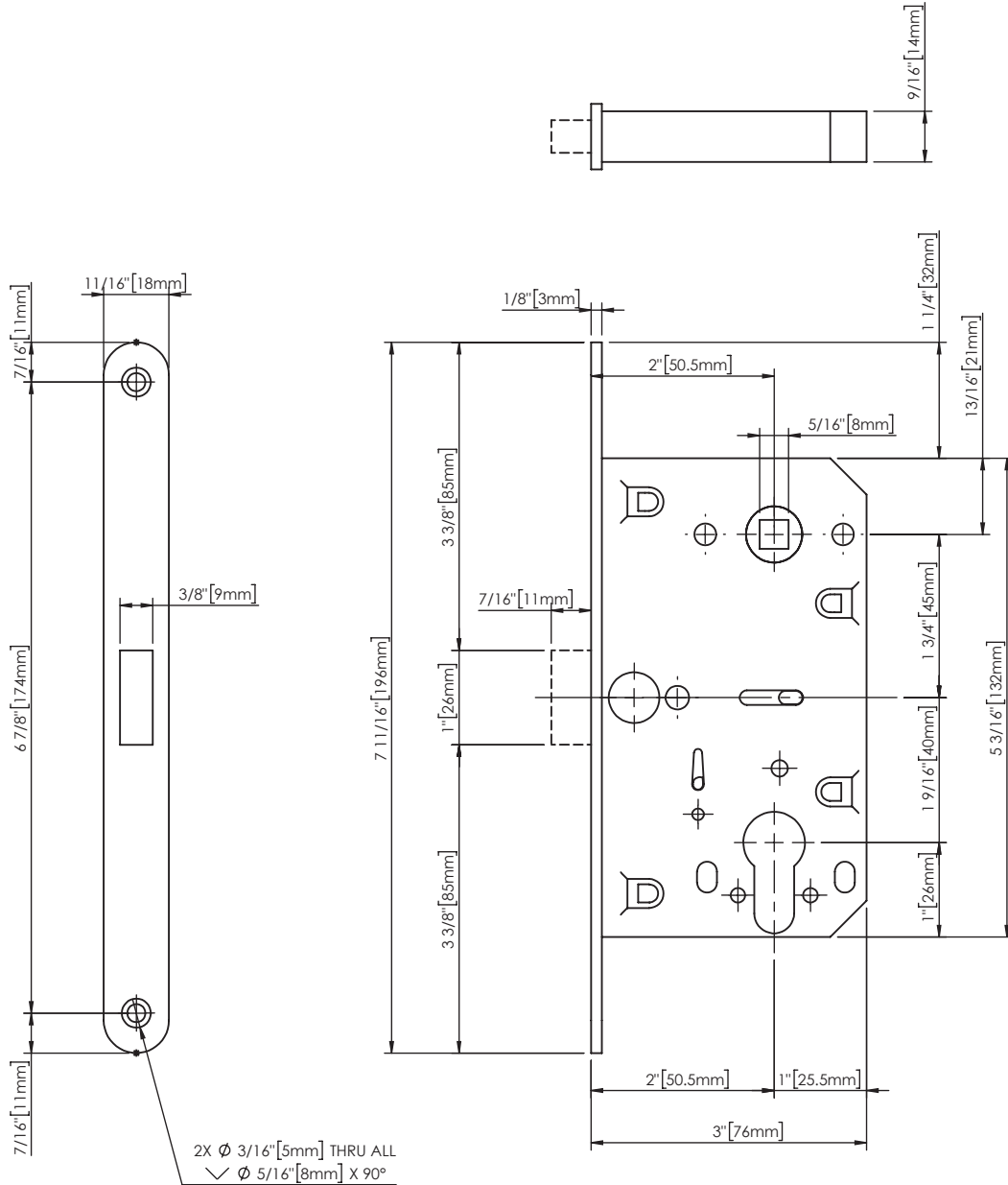
- Privacy Parts**
1. Thumbturn (inside)
 2. Thumbturn Set Screw
 3. Rose (inside)
 4. Screws #4 (4)
 5. Springless Pack (inside)
 6. Springless Pack (outside)
 7. Rose
 8. Washer
 9. Emergency Release Spindle



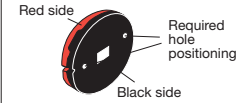
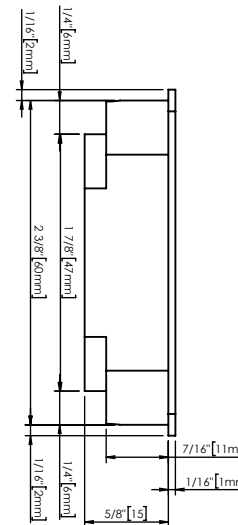
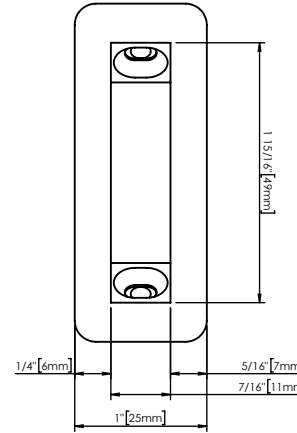
INSTALLATION INSTRUCTIONS FOR KEYLOCK EURO MAGNETIC MORTISE LOCK R M450 non-bored door condition

Euro Magnetic Keylock Mortise

TOOLS REQUIRED:
 5/8 Dia. Drill Bit, 5/8 Router Bit for Pocket,
 7/8 Router Bit for face plate and Phillips Screwdriver.



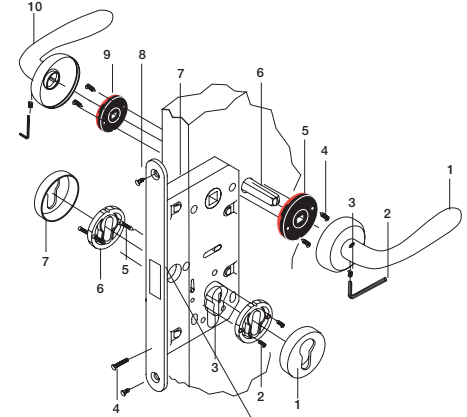
Keylock Strike



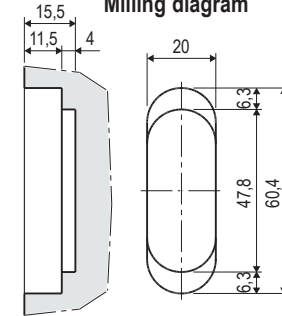
PLEASE NOTE

Springs are handed. **Black** must be facing you for **Right Hand Lever**. **Red** for **Left Hand Lever**.

PARTS INCLUDED WITH YOUR NEW KEYLOCK LOCK



Milling diagram



Passage Parts

1. Right Hand Lever Handle (outside)
2. Allen Key
3. Handle Set Screw (2)
4. Screws #8 (4)
5. Spring Pack (Right Hand outside Shown)
6. Passage Spindle
7. Passage/Privacy Euro Mortise
8. Face Plate Screws (2)
9. Spring Pack (inside)
10. Left Hand Lever Handle (inside)

Locking Parts

1. Profile Escutcheon
2. Escutcheon Mounting Bracket
3. Profile Cylinder
4. Cylinder Screws
5. Screws
6. Escutcheon Mounting Bracket
7. Profile Escutcheon

