

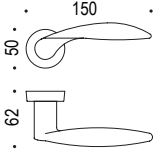

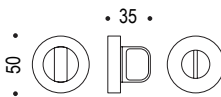
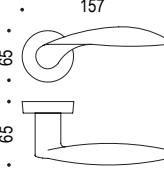
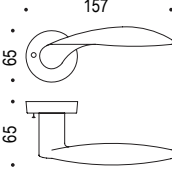
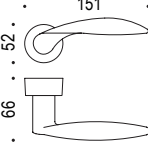
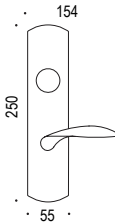
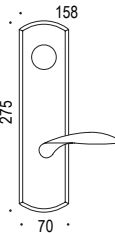


Wing, DB31, Satin Chrome  
Designed by Ottavio Di Blasi  
Material: Brass.



**SC**  
Satin Chrome

**PB**  
Polished Brass

<p><b>Tubular and European Mortise</b> Surface Mounted Applications</p> <p>For Tubular Specification Refer to R series - European Tubular Mounting section.</p> <p>For European Mortise Specification Refer to R series - European Mortise Mounting section - M300 Series.</p> <p>For Magnetic European Mortise Specification Refer to R series - Magnetic European Mortise Mounting section - M400 Series.</p>	<p><b>DB31R</b></p>  <p><b>CD43</b></p> 	<p>Privacy Kit Supplied: <b>CD49BZG</b></p> 
<p><b>North American</b> 2 1/8" Hole Prep Applications</p> <p>For Tubular Specification Refer to NA series - Tubular Mounting section.</p>	<p><b>PASSAGE</b> <b>DB31NAPA</b></p> 	<p><b>PRIVACY</b> <b>DB31NAPR</b></p> 
<p><b>Heavy Duty</b> Tubular or Mortise thru-bolting applications.</p> <p>For Tubular Specification Refer to HD series - Tubular Mounting section.</p> <p>For Mortise Specification Refer to HD series - Mortise Lock Mounting section.</p>	<p><b>DB31HD</b></p> 	<p>For Mortise with plate Specification Refer to P200 series - Mortise Lock Mounting section.</p> <p><b>DB31P202</b></p> 
<p><b>Suite Entry</b> Keyed Entry Tubular or Mortise</p> <p>For Tubular Specification Refer to P300 series - Tubular Suite Entry Mounting section.</p> <p>For Mortise Specification Refer to P300 series - Mortise Suite Entry Mounting section.</p>	<p><b>DB31P302</b></p> 	<p>Optional plate: <b>DB31P300</b></p> 